

PRICELIST 2021



Flexible posts diameter 80 mm

article	colour	reflective sleeves	height	price
14211FP	orange	4 x ORALITE 5450 white	1.000 mm	39,90 €
14212FP	orange	3 x ORALITE 5450 white	750 mm	29,90 €
14214FP	orange	2 x ORALITE 5450 white	450 mm	23,90 €
14215FP	orange	1 x ORALITE 5450 white	300 mm	20,90 €
14241FP	yellow	4 x ORALITE 5450 white	1.000 mm	39,90 €
14242FP	yellow	3 x ORALITE 5450 white	750 mm	29,90 €
14244FP	yellow	2 x ORALITE 5450 white	450 mm	23,90 €
14245FP	yellow	1 x ORALITE 5450 white	300 mm	20,90 €
14241GS	yellow	4 x ORALITE 5600 black	1.000 mm	39,90 €
14242GS	yellow	3 x ORALITE 5600 black	750 mm	29,90 €
14244GS	yellow	2 x ORALITE 5600 black	450 mm	23,90 €
14245GS	yellow	1 x ORALITE 5600 black	300 mm	20,90 €
14221SS	black	4 x ORALITE 5450 white	1.000 mm	39,90 €
14222SS	black	3 x ORALITE 5450 white	750 mm	29,90 €
14284SS	black	2 x ORALITE 5450 white	450 mm	23,90 €
14282SS	black	1 x ORALITE 5450 white	300 mm	20,90 €
14221SG	black	4 x ORALITE 5450 yellow	1.000 mm	39,90 €
14222SG	black	3 x ORALITE 5450 yellow	750 mm	29,90 €
14284SG	black	2 x ORALITE 5450 yellow	450 mm	23,90 €
14282SG	black	1 x ORALITE 5450 yellow	300 mm	20,90 €
14211RW	red	4 x ORALITE 5450 white	1.000 mm	39,90 €
14212RW	red	3 x ORALITE 5450 white	750 mm	29,90 €
14211GR	green	4 x ORALITE 5450 white	1.000 mm	39,90 €
14212GR	green	3 x ORALITE 5450 white	750 mm	29,90 €
14211BL	blue	4 x ORALITE 5450 white	1.000 mm	39,90 €
14212BL	blue	3 x ORALITE 5450 white	750 mm	29,90 €
14231UV	white	4 x ORALITE 5450 red	1.000 mm	57,90 €
14232UV	white	3 x ORALITE 5450 red	750 mm	43,90 €
14234UV	white	2 x ORALITE 5450 red	450 mm	32,90 €
14235UV	white	1 x ORALITE 5450 red	300 mm	24,90 €
14231BW	white	4 x ORALITE 5400 blue	1.000 mm	57,90 €
14232BW	white	3 x ORALITE 5400 blue	750 mm	43,90 €
14234BW	white	2 x ORALITE 5400 blue	450 mm	32,90 €
14235BW	white	1 x ORALITE 5400 blue	300 mm	24,90 €



PingPong™ Posts



13159 SC Screw
for PingPong™ Post ø 80 mm,
screw ø 10 mm, plug ø 18 mm, 0,07 kg
1,00 €/pc.



13359 S3 Screw kit
for PingPong™ Post ø 80 mm
= 3 x 13159 SC
3,00 €/kit

142110FP PingPong™ Post orange
(H) 1000 mm, TPU,
ø 80 mm, 1,48 kg
4 reflective tapes
39,90 €/pc.



14212 FP PingPong™ Post orange
(H) 750 mm, TPU,
ø 80 mm, 1,32 kg
3 reflective tapes
29,90 €/pc.



15211 W1 reflective tape
ORALITE® 5450
Commercial Grade
Class RA1 design A
for replacement
1,00 €/pc.

15212 W2 reflective tape
ORALITE® 5930M
DIN EN 12899-3: 2007
DIN 67520:2013-10
Prismatic Construction Grade
Class RA2 design C
for replacement
1,50 €/pc.

New!

20300 ES ground spike
for PingPong™ Post ø 80 mm
ø 200 mm zinc-plated,
(L) 300 mm, 1,18 kg
44,90 €/pc.



14214 FP PingPong™ Post orange
(H) 450 mm, TPU,
ø 80 mm, 0,93 kg
2 reflective tapes
23,90 €/pc.



14215 FP PingPong™ Post orange
(H) 300 mm, TPU,
ø 80 mm, 0,69 kg
1 reflective tape
20,90 €/pc.



PingPong™ Posts



15211 W1 reflective tape
 ORALITE® 5450
 Commercial Grade
 Class RA1 design A
 for replacement
1,00 €/pc.

15212 W2 reflective tape
 ORALITE® 5930M
 DIN EN 12899-3: 2007
 DIN 67520:2013-10
 Prismatic Construction Grade
 Class RA2 design C
 for replacement
1,50 €/pc.

PingPong™ made of elastic polyurethane.
 Protects people and is gently to vehicles.

13359 S3 Screw kit
 for PingPong™ Post
 ø 80 mm
 3 x 13159 SC
3,00 €/kit



14221 SS PingPong™ Post black
 with white 4 reflective tapes
 (H)1000 mm, TPU,
 ø 80 mm, 1,48 kg
39,90 €/pc.

14222 SS PingPong™ Post black
 with white 3 reflective tapes
 (H) 750 mm, TPU,
 ø 80 mm, 1,32 kg
29,90 €/pc.

14284 SS PingPong™ Post black
 with white 2 reflective tapes
 (H) 450 mm, TPU,
 ø 80 mm, 0,93 kg
23,90 €/pc.

14282 SS PingPong™ Post black
 with white 1 reflective tapes
 (H) 300 mm, TPU,
 ø 80 mm, 0,69 kg
20,90 €/pc.

PingPong™ Posts



15211 G1 reflective tape
 ORALITE® 5450
 Commercial Grade
 Class RA1 design A
 for replacement
1,00 €/pc.

15212 G2 reflective tape
 ORALITE® 5930M
 Prismatic Construction Grade
 Class RA2 design C
 for replacement
1,50 €/pc.



13174 HS eyelet bolt
 black, PPC
 M 36 thread
0,95 €/pc.



13194 AD adapter
 for flexible post ø 80 mm
 black, PPC
 M 36 thread
3,80 €/pc.

13359 S3 Screw kit
 for PingPong™ Post
 ø 80 mm
 3 x 13159 SC
3,00 €/kit



14221 SG PingPong™ Post black
 with 4 yellow reflective tapes
 (H)1000 mm, TPU
 ø 80 mm, 1,48 kg
39,90 €/pc.



14222 SG PingPong™ Post black
 with 3 yellow reflective tapes
 (H)750 mm, TPU
 ø 80 mm, 1,32 kg
29,90 €/pc



14284 SG PingPong™ Post black
 with 2 yellow reflective tapes
 (H) 450 mm, TPU,
 ø 80 mm, 0,93 kg
23,90 €/pc.



14282 SG PingPong™ Post black
 with 1 yellow refl. tape
 (H) 300 mm, TPU,
 ø 80 mm, 0,69 kg
20,90 €/pc.



PingPong™ Posts



14245 FP PingPong™ Post yellow
with 1 reflective tape
(H)300 mm, TPU,
ø 80 mm, 0,69 kg
20,90 €/pc.



14244 FP PingPong™ Post yellow
with 2 reflective tapes
(H)450 mm, TPU,
ø 80 mm, 0,93kg
23,90 €/pc.



14242 FP PingPong™ Post yellow
with 3 reflective tapes
(H)750 mm, TPU,
ø 80 mm, 1,32 kg
29,90 €/pc.



15211 G1 reflective tape
ORALITE® 5450
Commercial Grade
Class RA1 design A
for replacement
1,00 €/pc.

15212 G2 reflective tape
ORALITE® 5930M
Prismatic Construction Grade
Class RA2 design C
for replacement
1,50 €/pc.



14241 FP PingPong™ Post yellow
with 4 reflective tapes
(H)1000 mm, TPU,
ø 80 mm, 1,48 kg
39,90 €/pc.



13359 S3 Screw kit
for PingPong™ Post
ø 80 mm
3 x 13159 SC
3,00 €/kit



15211 S1 black reflective tape
ORALITE® 5600
Commercial Grade
for replacement
1,00 €/pc.



14241 GS PingPong™ Post
yellow with 4 black reflective tapes
(H)1000 mm, TPU,
ø 80 mm, 1,48 kg
39,90 €/pc.

14242 GS PingPong™ Post
yellow with 3 black reflective tapes
(H)750 mm, TPU,
ø 80 mm, 1,32 kg
29,90 €/pc.

14244 GS PingPong™ Post
yellow with 2 black reflective tapes
(H)450 mm, TPU,
ø 80 mm, 0,93kg
23,90 €/pc.

14245 GS PingPong™ Post
yellow with 1 black reflective tapes
(H)300 mm, TPU,
ø 80 mm, 0,69 kg
20,90 €/pc.

PingPong™ Posts



15212 R2 reflective tape
Prismatic Construction Grade red
ORALITE® 5930M
for replacement
1,50 €/pc.



15211 R1 reflective tape
Commercial Grade red
ORALITE® 5450
for replacement
1,00 €/pc.



15211 B1 reflective tape
Commercial Grade blue
ORALITE® 5400
for replacement
1,00 €/pc.



13174 HH eyelet bolt
white, PPC
M 36 thread
0,95 €/pc.



New!

13194 WW adapter
for flexible post ø 80 mm,
M36 thread, white PPC
3,80 €/pc.



PingPong™
14231 RW Post white-red
14231 BW Post white-blue
(H)1000 mm, TPU
ø 80 mm, 1,48 kg
4 reflective tapes
57,90 €/pc



PingPong™
14232 RW Post white-red
14232 BW Post white-blue
(H)750 mm, TPU
ø 80 mm, 1,32 kg
3 reflective tapes
43,90 €/pc

13359 S3 Screw kit
for PingPong™ Post
ø 80 mm
3 x 13159 SC
3,00 €/kit



PingPong™
14234 RW Post white-red
14234 BW Post white-blue
(H)450 mm, TPU
ø 80 mm, 0,93 kg
2 reflective tapes
32,90 €/pc



PingPong™
14235 RW Post white-red
14235 BW Post white-blue
(H)300 mm, TPU
ø 80 mm, 0,69 kg
1 reflective tape
24,90 €/pc

PingPong™ Posts



**New
colours!**



14212 RW PingPong™ Post red
with 3 reflective tapes
(H)750 mm, TPU,
ø 80 mm, 1,32 kg
29,90 €/pc.



14211 RW PingPong™ Post red
with 4 reflective tapes
(H)1000 mm, TPU,
ø 80 mm, 1,48 kg
39,90 €/pc.



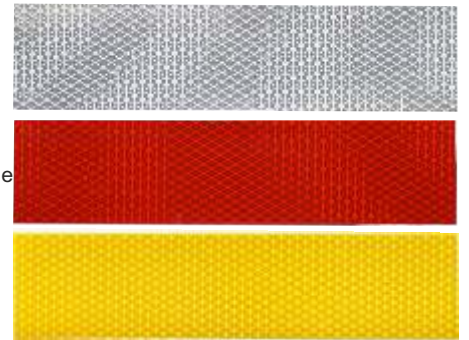
15211 W1 / G1 / R1
white / yellow / red
ORALITE® 5450
Commercial Grade
Class RA1 design A
for replacement
1,00 €/pc.

15211 B1 blue
ORALITE® 5400
Commercial Grade
1,00 €/pc.

15211 S1 black
ORALITE® 5600
Commercial Grade
1,00 €/pc.



15212 W2 / G2 / R2
white / yellow / red
ORALITE® 5930M
Prismatic Construction Grade
EN 12899-3: 2007
DIN 67520:2013-10
Class RA2 design C
for replacement
1,50 €/pc.



14211 BL PingPong™ Post blue
with 4 reflective tapes
(H)1000 mm, TPU,
ø 80 mm, 1,48 kg
39,90 €/pc.



14212 BL PingPong™ Post blue
with 3 reflective tapes
(H)750 mm, TPU,
ø 80 mm, 1,32 kg
29,90 €/pc.



14211 GR PingPong™ Post green
with 4 reflective tapes
(H)1000 mm, TPU,
ø 80 mm, 1,48 kg
39,90 €/pc.

13359 S3 Screw kit
for PingPong™ Post ø 80 mm
3 x 13159 SC
3,00 €/kit



14212 GR PingPong™ Post green
with 3 reflective tapes
(H)750 mm, TPU,
ø 80 mm, 1,32 kg
29,90 €/pc.

PingPong™ Posts with base to glue on and with parking curb



12230 KG PingPong™ Post yellow
12232 KO PingPong™ Post orange
 (H)750 mm, TPU, ø 80 mm, 1,46 kg
 reflective tapes
 ORALITE® 5450
 Commercial Grade
 Class RA1 Design A
 Foot ABS ø 200 mm
 for conglunation
37,90 €/pc.



12234 KG PingPong™ Post yellow
12236 KO PingPong™ Post orange
 (H)450 mm, TPU, ø 80 mm, 1,10 kg
 reflective tapes
 ORALITE® 5450 white
 Commercial Grade
 Class RA1 Design A
 Foot ABS ø 200 mm
 for conglunation
31,90 €/pc.



14218 FP parking curb with PingPong™ Post orange
14218 GS parking curb with PingPong™ Post yellow
 (L) 1000 mm, (W) 200, (H) 465 mm,
 curb PPC, 4,12 kg
 post TPU, ø 80 mm,
 reflective tapes
 ORALITE® 5450 white
67,90 €/pc.



13194 AD adapter
 for PingPong™ Post ø 80 mm
 black PPC, M 36 thread
3,80 €/pc.



114219 FP parking curb with PingPong™ Post orange
14219 GS parking curb with PingPong™ Post yellow
 (L) 1000 mm, (W) 200, (H) 765 mm
 curb PPC, 4,5 kg,
 post TPU, ø 80 mm,
 reflective tapes
 ORALITE® 5450 white
75,90 €/pc.



Ping Pong™ Bollard and Ping Pong™ Post



M36 thread for signs or eyelets



New
ø 110 mm



13174 HH eyelet bolt
white, PPC
M 36 thread
0,95 €/pc.

Big diameter bollard
ideal to cordon off
with plastic chains

13159 SC Screw
10/18 mm, 0,07 kg
1,00 €/pc.



signs with
M36 thread
at page 37

13459 S4 screw kit
for Ping Pong™ Bollard
4 x 13159 SC
4,00 €/kit

14237 FP Ping Pong™ Bollard
TPU, ø 110 mm,
(H) 750 mm, 2,1 kg
3 reflective sleeves RA 2
49,90 €/pc.



New
reasonable post
ø 75 mm

14281 FP Ping Pong™ Post orange
TPU, ø 75 mm,
(H) 700 mm, 1,0 kg
3 reflective sleeves RA 2
19,90 €/pc.

13159 SC Screw
10/18 mm, 0,07 kg
1,00 €/pc.



13359 S3 screw kit
for Ping Pong™ Post
3 x 13159 SC
3,00 €/kit

Flexible Delineator Bollard and Refuge Island Delineator



PingPong™ Delineator Bollard black
14256 SA pass on right
14256 SL pass on left
 (H) 750 mm, (W) 120 mm,
 TPU 1,4 kg
 one side reflective
46,90 €/pc



PingPong™ Delineator Bollard orange
14256 BA pass on right
14256 BL pass on left
 (H) 750 mm, (W) 120 mm,
 TPU 1,4 kg
 one side reflective
46,90 €/pc



PingPong™ Delineator Bollard orange
14258 BA pass on right
14258 BL pass on left
 (H) 450 mm, (W) 120 mm,
 TPU 0,98 kg
 one side reflective
37,90 €/pc

ORALITE®

14256 F2 reflective tape
 ORALITE® 5831
 High Intensity Construction Grade
 Class RA2 design B
 for replacement 100 x 400 mm
5,95 €/pc.

14258 F2 reflective tape
 for replacement 100 x 220 mm
5,95 €/pc.

13159 SC Screw
 10/18 mm, 0,07 kg
1,00 €/pc.



13459 S4 Screw kit
 for Delineator Bollard
 or Refuge Island Delineator
 4 x 13159 SC
4,00 €/kit



14254 FP PingPong™
Impact Recovery
Refuge Island
Delineator
 (H) 900 mm,
 (W) 220 mm,
 TPU 1,7 kg
 reflective RA2
69,90 €/pc.

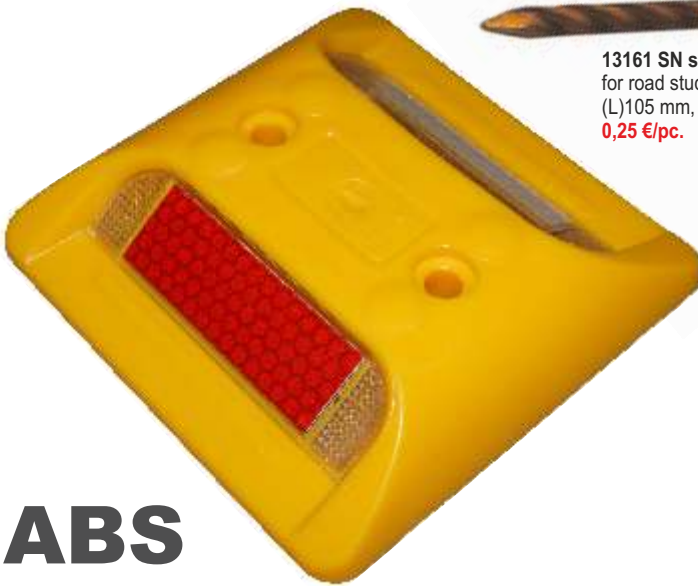
14250 FP PingPong™
Impact Recovery
Refuge Island Delineator
 (H) 1000 mm,
 (W) 320 mm,
 TPU 3,1 kg
 reflective RA2
79,90 €/pc.

Road Studs made of ABS and aluminium

Don't forget the fixing material!



13161 SN screw nail
for road studs 14005
(L)105 mm, ø 6 mm, 0,02 kg
0,25 €/pc.



ABS

14005 MG road stud yellow
105x105x20 mm, 0,11 kg
3,00 €/pc.



ABS

14005 MW - road stud white
105x105x20 mm, 0,11 kg
3,00 €/pc.



ABS

14009 MG road stud yellow
105x105x20 mm, 0,11 kg
8,90 €/pc.

Don't forget the fixing material!

13160 SC Screw and plug for 14009 MG and 14007 MA
plug ø 8/14 mm, screw (L) 100 mm, 0,02 kg
0,30 €/pc.



14007 MA road stud aluminium
2 Screw holes
with 2 cat's-eyes on both sides
0,30 kg, 120x120x28 mm,
10,20 €/pc.



Not for heavy goods vehicle traffic!

12011 MA roadstud,
aluminium 0,375 kg,
100x100x21 mm
11,90 €/pc.

3 cat's-eye on both side
bolt to set in concrete,
ø 20 mm, (L) 50 mm

Road Studs made of PPC



Don't forget the fixing material!



13161 SN screw nail
for road studs:
14000, 14002, 14003, 14004
(L)105 mm, ø 6 mm, 0,02 kg
0,15 €/pc.

PPC

14004 MG road stud yellow
120x140x25 mm, 0,12 kg
2,15 €/pc.

PPC

14004 MW road stud white
120x140x25 mm, 0,12 kg
2,15 €/pc.



PPC

14002 MG road stud yellow
120x120x28 mm, 0,17 kg
3,30 €/pc.



PPC

14000 MG road stud yellow
125x150x32 mm, 0,20 kg
3,20 €/pc.



PPC

14003 MG road stud yellow
100x220x32 mm, 0,24 kg
4,30 €/pc.

Don't forget the fixing material!



13160 SC Screw and plug
for road stud 14006 MG
Screw ø 8 mm, (L)100 mm,
plug ø 14 mm
0,02 kg,
0,30 €/pc.



PPC

14006 MG road stud yellow
120x220x28 mm, 0,21 kg
4,30 €/pc.

LANE SEPERATORS



14202 SW lane seperator white
1170 x150 x 50 mm, PPC, 2,4 kg
24,90 €/pc.

14202 SO lane seperator yellow
1170 x150 x 50 mm, PPC, 2,4 kg
24,90 €/pc.



Please do not forget fixing material!

13359 S3 screw kit
for 14202,
3 x 13159 SC
3,00 €/kit

13159 SC screw
(L) 105 mm, ø 10/18 mm, 0,07 kg
1,00 €/pc.



13459 S4 screw kit
for 14217, 14262, 14266
4 x 13159 SC
4,00 €/kit



14217 UN parking curb
with big cat's eye.
1000 x 200 x 90 mm, PPC, 4,1 kg
59,90 €/pc.



14262 LR Traffic Lane Separator
with 4 cat's eyes in both directions
1000 x 220 x 70 mm
PPC, 3,5 kg
49,90 €/pc.



14266 LR Traffic Lane Separator with warning reflector
1000 x 220 x 650 mm
PPC, 3,6 kg
79,90 €/pc.



Sign

12566 SR sign
with warning reflector
32,90 €/pc.
12566 OF blank sign
26,95 €/pc.

Reflector

12566 F2 Reflective film
ORALITE® 5831 High Intensity
Construction Grade
Class RA2 design B
500 x 125 mm
5,95 €/pc.

Lane Separators



14206 GG
mini separator
with high indicator
260x160x600 mm,
PPC-TPU, 0,84 kg
21,90 €/pc.



13158 ST
high indicator
orange 600 mm
TPU
13,00 €/pc.



14204 GG lane separator
with high indicator
1170x150x600 mm,
PPC-TPU, 2,7 kg
37,90 €/pc.



14207 KR
mini separator
with small indicator
260x160x280 mm,
PPC-TPU, 0,7 kg
19,90 €/pc.

13157 ST
small indicator
orange 265 mm
TPU
11,00 €/pc.



14203 KR lane separator
with small indicator
1170x150x280 mm,
PPC-TPU, 2,6 kg
35,90 €/pc.



13259 S2 Screw kit
for 14206, 14207 and 14209
2 x 13159 SC
2,00 €/kit

ORALITE®

ORALITE® 5930M white
Prismatic Construction Grade
EN 12899-3: 2007
DIN 67520:2013-10
(RA2; design C)
See on page 8



13359 S3 Screw kit
for 14202, 14203 and 14208
3 x 13159 SC
3,00 €/kit



14209 MF
mini separator
with mini flexible post
260x160x280 mm,
PPC-TPU, 0,7 kg
19,90 €/pc.

13157 MF mini flexible post
265 mm, TPU
11,00 €/pc.



14208 MF lane separator
with mini flexible post
1170x150x280 mm,
PPC-TPU, 2,6 kg
35,90 €/pc.

Lane Separators and Wheel Stops „Rubber“

keeps vehicles at a distance



14216 UN Wheel Stop „Rubber“
500 x 160 x 100 mm, 2,45 kg, PVC
Yellow reflective markings
19,95 €/pc.



13159 SC Screw
(L)105 mm
ø 10/18 mm, 0,07 kg
1,00 €/pc.



13359 S3 Screw kit
3 x 13159 SC
3,00 €/Set

Wheel Stops protect green spaces, footpaths and cycleways



14260 UN Lane Separator „Rubber“
1000 x 150 x 60 mm, 5,5 kg, PVC
Yellow reflective markings
38,90 €/pc.

Lane Separators/Parking Curbs



**14261 SS Parking Curb 0,55 m
black with yellow patch**
550 x 155 x 100 mm,
PPC 1,85 kg
19,90 €/pc.

13159 SC Screw
10/18 mm, 0,07 kg
1,00 €/pc.



**14261 GG Parking Curb 0,55 m
yellow with black patch**
550 x 155 x 100 mm,
PPC 1,85 kg
22,50 €/pc.

13259 S2 Screw kit
for Parking Curb 0,55 m
2 x 13159 SC
2,00 €/kit



**14263 SS Parking Curb 1,10 m
black with 2 yellow patches**
1090x155x100 mm,
PPC 4,1 kg
39,90 €/pc.



**14263 GG Parking Curb 1,10 m
yellow with 2 black patches**
1090x155x100 mm,
PPC 4,1 kg
42,90 €/pc.

13159 SC Screw
10/18 mm, 0,07 kg
1,00 €/pc.



**14265 SS Parking Curb 1,80 m
black with 4 yellow patches**
1790 x 155 x 100 mm,
PPC 6,8 kg
59,90 €/pc. + freight charge
Oversize surcharge!
Freight costs on request

13359 S3 Screw kit for 1,10 m Parking Curb
3 x 13159 SC
3,00 €/kit

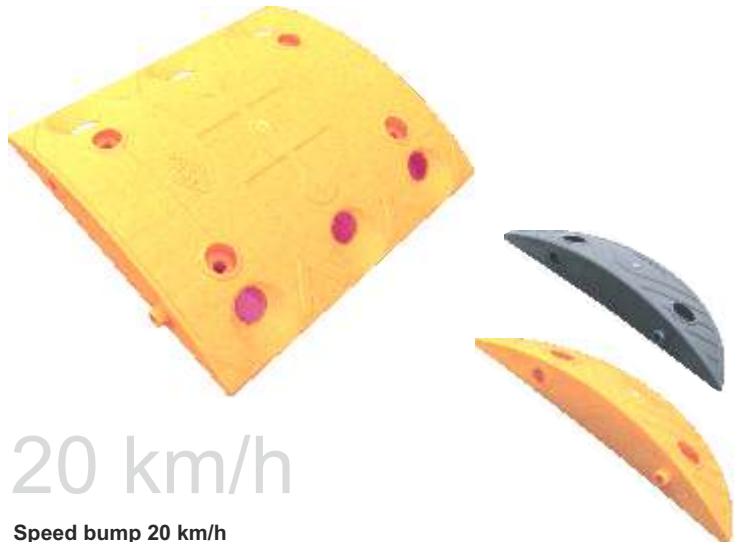
Speed Bumps



10 km/h

Speed bump 10 km/h
 14100 MG mid-section yellow
 14100 MS mid-section black
 340 x 250 x 50 mm, PPC, 1,4 kg
14,95 €/pc.

14101 EG end-cap, yellow
 14101 ES end-cap, black
 100x250x50 mm, PPC, 0,34 kg,
5,45 €/pc.



20 km/h

Speed bump 20 km/h
 14102 MG mid-section yellow
 14102 MS mid-section black
 333 x 300 x 40 mm, PPC, 1,3 kg
13,95 €/pc.

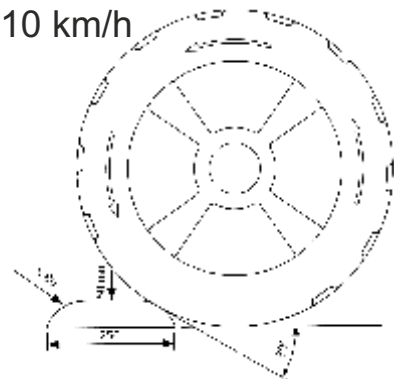
14103 EG end-cap, yellow
 14103 ES end-cap, black
 100 x 300 x 40 mm, PPC, 0,26 kg
4,95 €/pc.

Speed bump 10 km/h 2,58 m, 14100 SET-258 GSG **115,55 €/pc.**
 you need 8 x 13459 S4 Screw kit = **32,00 €**

Speed bump 20 km/h 2,53 m, 14102 SET-253 GSG **107,55 €/pc.**
 you need 8 x 13459 S4 Screw kit = **32,00 €**



10 km/h

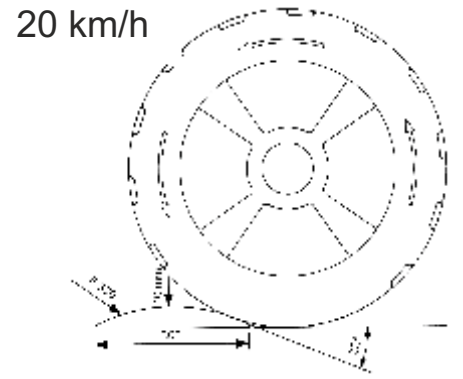


13159 SC Screw
 0/18 mm, 0,07 kg
1,00 €/pc.



13459 S4 Screw kit
 for Speed Bumps
 for one mid-section or two end pieces
 4 x 13159 SC
4,00 €/kit

20 km/h



Speed Bumps

30 km/h



Speed bump 30 km/h
14106 MG mid-section, yellow
14106 MS mid-section, black
 500x400x40 mm, 6,3 kg
 rigid PPC-Core
 with plasticised PVC-sheathing
46,95 €/pc.

Endpiece 30 km/h
14107 EG end-cap, yellow
14107 ES end-cap, black
 200x400x40 mm, 1,7 kg
 rigid PPC-Core
 with plasticised PVC-sheathing
18,95 €/pc.

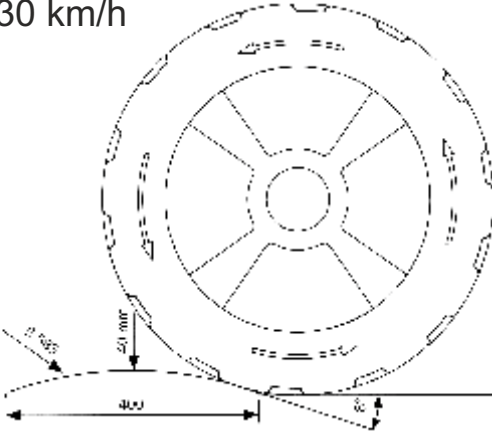
40 km/h



Speed bump 40 km/h
14104 MG mid-section, yellow
14104 MS mid-section, black
 330x500x45 mm, 6,2 kg
 rigid PPC-Core
 with plasticised PVC-sheathing
49,95 €/pc.

Endpiece 40 km/h
14105 EG end-cap, yellow
14105 ES end-cap, black
 250x500x45 mm, 2,9 kg
 rigid PPC-Core
 with plasticised PVC-sheathing
24,95 €/pc.

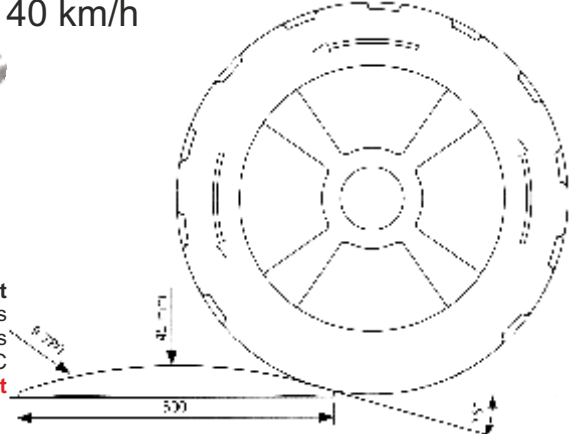
30 km/h



13159 SC Screw
 10/18 mm, 0,07 kg
1,00 €/pc.



40 km/h



13459 S4 Screw kit
 for speed ramps
 for one mid-section or two end caps
 4 x 13159 SC
4,00 €/kit



14127 EG Speed cap
yellow-black
 rigid PPC-Core
 with plasticised PVC-sheathing
 Ø 40 cm, H 4 cm, 3,4 kg
37,90 €/pc.

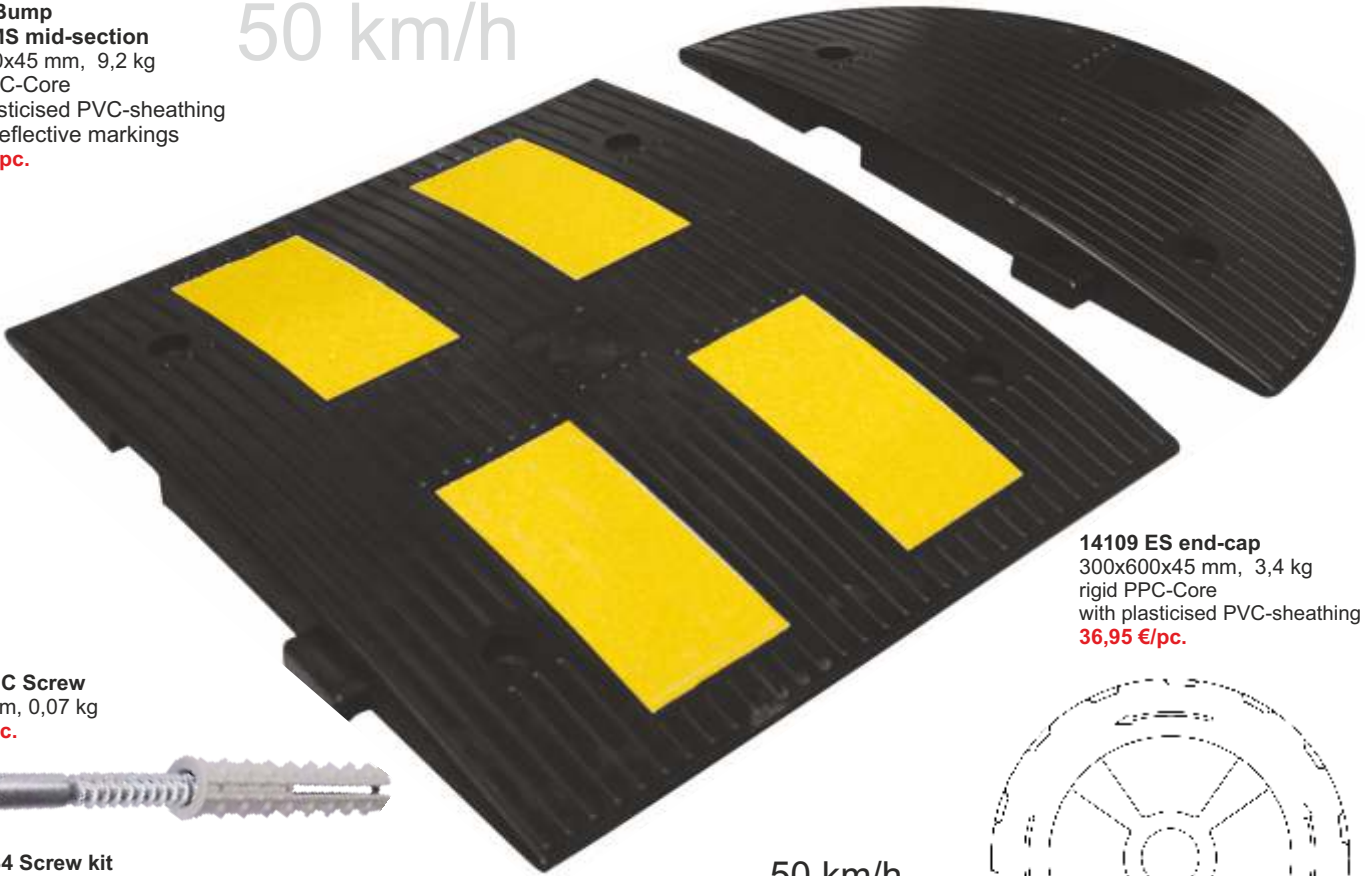


Speed Bumps

50 km/h

Speed Bump

14108 MS mid-section
500x600x45 mm, 9,2 kg
rigid PPC-Core
with plasticised PVC-sheathing
yellow reflective markings
74,95 €/pc.



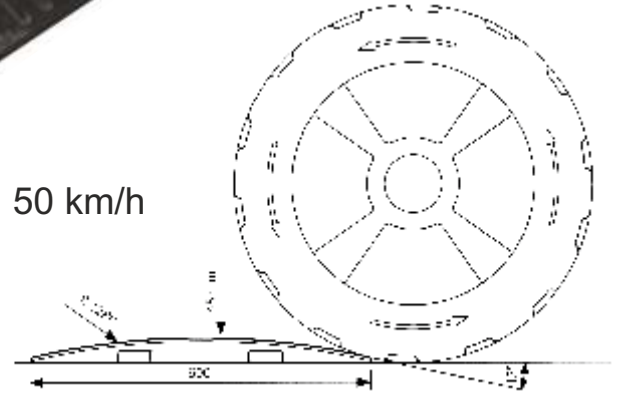
14109 ES end-cap
300x600x45 mm, 3,4 kg
rigid PPC-Core
with plasticised PVC-sheathing
36,95 €/pc.

13159 SC Screw
10/18 mm, 0,07 kg
1,00 €/pc.



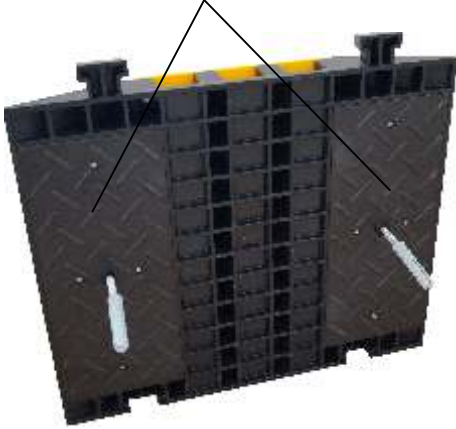
13459 S4 Screw kit
for speed bumps
for one mid-section or two end-cap
4 x 13159 SC
4,00 €/kit

50 km/h



Cable Protection Ramp

Nonslip rubber base



Fixing holes allow you to bolt on the cable protection ramp

13459 S4 Screw kit
for two cable protection ramps
or two curved sections
4 x 13159 SC
4,00 €/Set



13159 SC Screw
10/18 mm, 0,07 kg
1,00 €/pc.

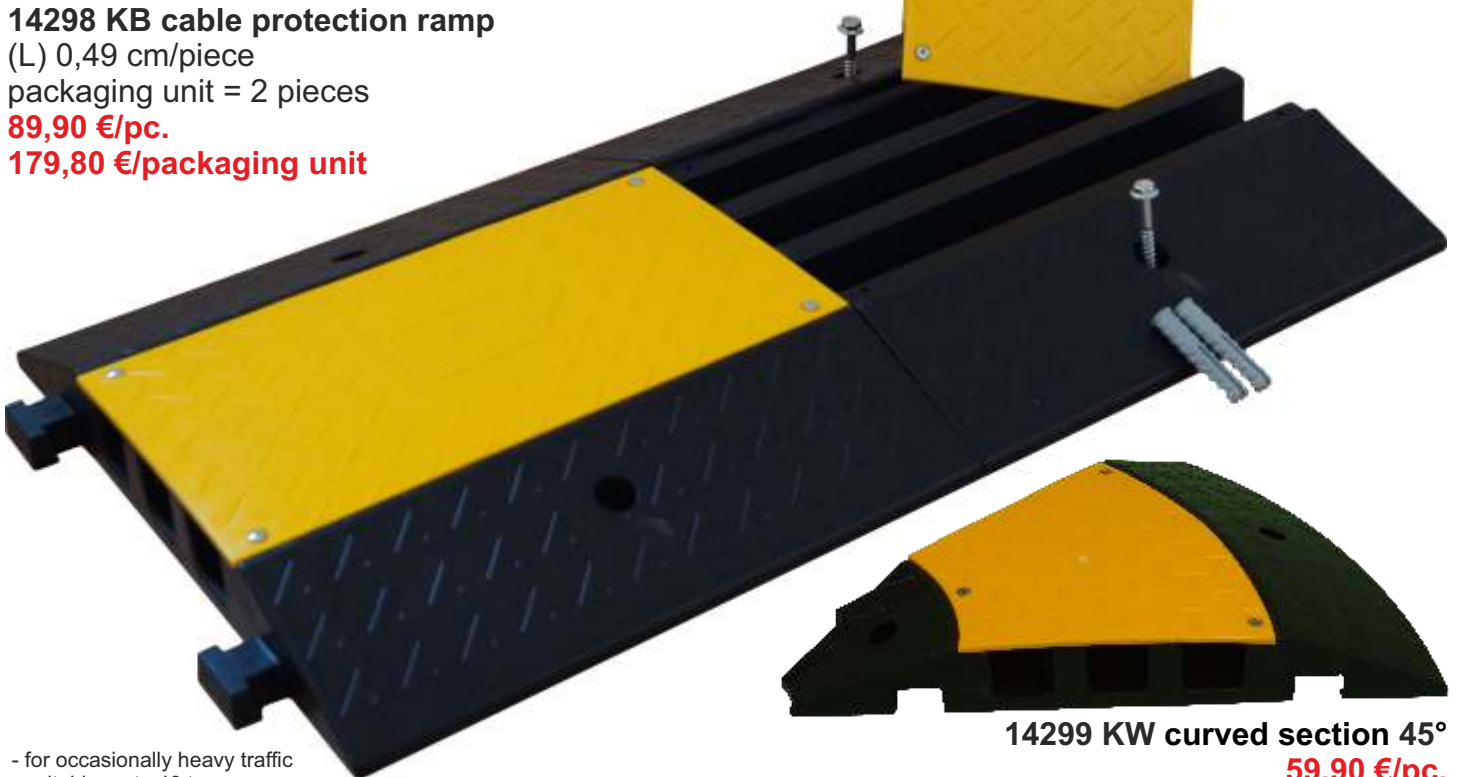
Locked by screws

14298 KB cable protection ramp

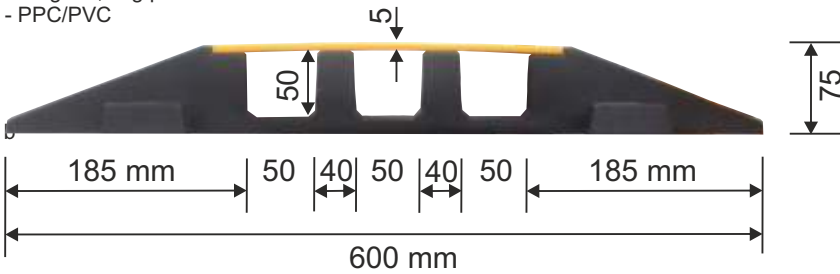
(L) 0,49 cm/piece
packaging unit = 2 pieces

89,90 €/pc.

179,80 €/packaging unit

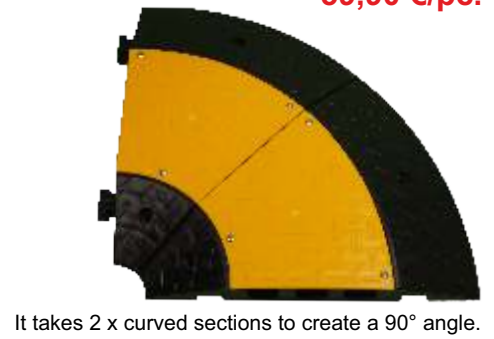


- for occasionally heavy traffic
- suitable up to 40 tons
- recommended maximal speed 6 km/h
- weight 8,7 kg/piece
- PPC/PVC



14299 KW curved section 45°

59,90 €/pc.



It takes 2 x curved sections to create a 90° angle.



Traffic Cone Eco

- excellent value
- stable in all directions
- stackable

12332 ZR Traffic Cone Eco
(H) 520 mm, PVC, 1,2 kg
reflective sheeting type RA 2
12,90 €/pc.



Easy handling with eyelet
Use in conjunction with
plastic chains or barrier tape



12337 ZR Traffic Cone Eco
(H) 700 mm, PVC, 2,2 kg
reflective sheeting type RA 2
21,90 €/pc.



Traffic Cones flexible PVC



12303 SP Cone
(H) 320 mm, PVC, 0,64 kg
6,50 €/pc.



12304 UN Cone
(H) 500 mm, PVC, 1,3 kg
12,40 €/pc.



12305 UN Cone
(H) 750 mm, PVC, 3,2 kg
28,90 €/pc.



12321 UN Cone
(H) 900 mm, PVC, 3,6 kg
33,90 €/pc.



12303 ER Traffic Cone
(H) 320 mm, PVC, 0,64 kg
reflective strips type RA 2
7,50 €/pc.



12306 ZR Traffic Cone
(H) 500 mm, PVC, 1,3 kg
reflective strips type RA 2
13,90 €/pc.



12309 ZR Traffic Cone
(H) 750 mm, PVC, 3,2 kg
reflective strips type RA 2
34,90 €/pc.



12325 ZR Traffic Cone
(H) 900 mm, PVC, 3,6 kg
reflective strips type RA 2
36,90 €/pc.



13126 ZA Adapter M 36 thread
for 500, 750, 900 mm cones
black, PPC
3,80 €/pc.



Signs with
M36 thread
at page 37



12326 ZR Traffic Cone
(H) 500 mm, PVC, 2,7 kg
reflective strips type RA 2
21,90 €/pc.



12315 ZR Traffic Cone
(H) 750 mm, PVC, 6,6 kg
reflective strips type RA 2
49,90 €/pc.



12327 ZR Traffic Cone
(H) 900 mm, PVC, 7,0 kg
reflective strips type RA 2
54,90 €/pc.

Traffic Cones PPC



12303 TH Traffic Cone
PPC, 320 mm, 0,40 kg
5,10 €/pc.



12308 TL UN Hexagon Cone
PPC, 500 mm, 0,82 kg
11,50 €/pc.



12302 RW UN Hexagon Cone
PPC, 500 mm, 0,82 kg
9,90 €/pc.



12300 RW (rot/weiss) Hexagon Cone PPC,
(H) 500 mm, 1,02 kg
14,50 €/pc.

12301 RW Hexagon Cone PPC
with heavy base
(H) 520 mm, 4,12 kg
22,90 €/pc.



12310 ZR Traffic Cone PPC,
750 mm, 2,2 kg
reflective sheeting
type RA 2
24,90 €/pc.



12320 ZR Traffic Cone PPC,
750 mm, 4,9 kg
reflective sheeting
type RA 2
37,90 €/pc.



12350 BW traffic cone blue
(H) 600 mm, PPC, 1,35 kg
base 370 x 370 mm
eyelet with M 36 thread
17,90 €/pc.



12350 GW traffic cone yellow
(H) 600 mm, PPC, 1,35 kg
base 370 x 370 mm
eyelet with M 36 thread
17,90 €/pc.



12350 RW traffic cone red
(H) 600 mm, PPC, 1,35 kg
base 370 x 370 mm
eyelet with M 36 thread
17,90 €/pc.



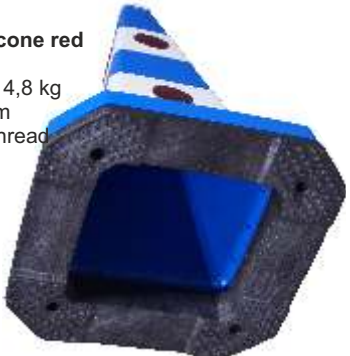
12351 BW traffic cone blue heavy base
(H) 613 mm, PPC, 4,8 kg
base 370 x 370 mm
eyelet with M 36 thread
27,90 €/pc.



12351 GW traffic cone yellow heavy base
(H) 613 mm, PPC, 4,8 kg
base 370 x 370 mm
eyelet with M 36 thread
27,90 €/pc.



12351 RW traffic cone red heavy base
(H) 613 mm, PPC, 4,8 kg
base 370 x 370 mm
eyelet with M 36 thread
27,90 €/pc.



reflectors



more signs
with M 36 thread
at page 37



Cleaning & Maintenance Barriers



13107 OF Safety Sign
blank
245x620 mm, ABS, 1,09 kg
15,30 €/pc.

reflectors



13108 FP Safety Sign
Caution Wet Floor
245x620 mm, ABS, 1,09 kg
16,40 €/pc.



12406 OF
Mini-delineator
blank, 150x915 mm,
PPC, 5,2 kg
20,90 €/pc.



12408 RW Mini-delineator
right arrow
red-white, 150x915 mm,
PPC, 5,2 kg
28,90 €/pc.



12408 LW Mini-delineator
left arrow
red-white, 150x915 mm,
PPC, 5,2 kg
28,90 €/pc.



13104 BF delineator base
(ø) 290 mm
(H) 160 mm
PPC, 4,7 kg
14,90 €/pc.



15408 F2 Reflective Sheeting
Oralite 5831 Arrow red-white,
145 x 580 mm,
replacement sheet
8,90 €/pc.

Pavement Signage



12421 UN Pavement Signage
advertising space 395 x 595 mm
495 x 390 x 900 mm, PPC, 7 kg
54,90 €/pc.



12426 UN Pavement Signage
advertising space 395 x 595 mm
495 x 390 x 900 mm, PPC, 7 kg
54,90 €/pc.



12425 UN Pavement Signage
advertising space 395 x 595 mm
495 x 390 x 900 mm, PPC, 7 kg
54,90 €/pc.



M36 screw thread
for all signs
page 37



Pavement Signage



12425 WA Warning Panel
 double sided reflective Typ RA 2
 495 x 395 x 905 mm, PP, 7 kg
79,90 €/pc.



Key Hole Chain Keeper



antislip rubber base



M 36 thread



Chain Posts GigaMax

12430 ZR GigaMax chain post red
PPC/PVC
57,90 €/pc.



reflective strips

New

M36 thread to attach signs
Integral chain eye



12430 WW GigaMax chain post white
PPC/PVC
57,90 €/pc.



reflective strips

GigaMAX Chain Post:
Height: 120 cm
Base: Ø 50 cm
Weight: 8,7 kg
rubber base made of recycled PVC



stackable



increased stability
by additional feet



Chain Posts MegaMax



13174 HH eyelet bolt
white, PPC
M36 thread
0,95 €/pc.

M36 thread for optional signs

New

Key Hole
Chain Keeper

good visibility at night
4 reflective sleeves
class RA 2



12404 KD MegaMax Post red
4 highly reflective markings, PPC
39,90 €/pc.



12414 WG MegaMax Post yellow
4 highly reflective markings, PPC
43,90 €/pc.



12414 SG MegaMax yellow
3 black markings, PPC
39,90 €/pc.

Chain Post
MegaMax:
Height: 120 cm
Foot: Ø 40 cm
Post: Ø 11 cm
empty weight 4 kg
Two-part-base
can be filled
with 8-10 kg of sand
reflective sleeves RA 2



for easy
transport
simply fill
in on site



Size comparison



Up to 8 m post spacing



Chain Post Sets MegaMax

12454 KD MegaMax Chain Post Set

5 red posts fitted with 4 reflective markings
5 two-part-bases
+ 25 m chain "Pollux" red - white

229,00 €



12464 KD MegaMax Chain Post Set

6 red posts fitted with 4 reflective markings
6 two-part-bases
+ 25 m chain "Pollux" red - white

259,00 €



12454 WG Chain Post Set

5 yellow posts MegaMax
fitted with 4 reflective markings
5 two-part-bases
+ 25 m chain "Pollux"
yellow - black

244,00 €

12464 WG Chain Post Set

6 yellow posts MegaMax
fitted with 4 reflective markings
6 two-part-bases
+ 25 m chain "Pollux"
yellow - black

277,00 €



12454 SG Chain Post Set

5 yellow posts MegaMax
fitted with 3 black markings
5 two-part-bases
+ 25 m chain "Pollux"
yellow - black

229,00 €

12464 Chain Post Set

6 yellow posts MegaMax
fitted with 3 black markings
6 two-part-bases
+ 25 m chain "Pollux"
yellow - black

259,00 €



Post and Chain Barriers

12401 OR Post
63 x 1000 mm, PPC, 4,0 kg
24,00 €/pc.

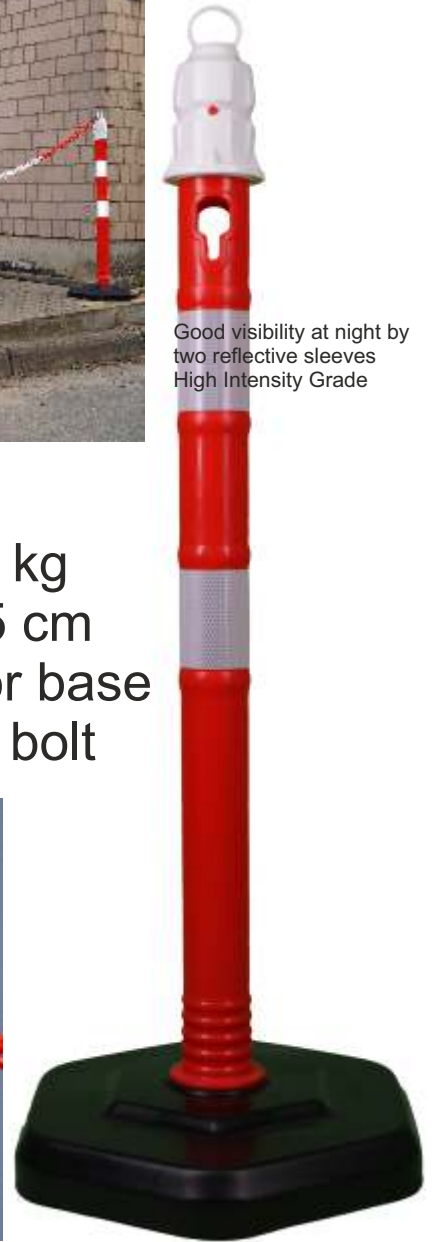


12403 ZR MultiMax Post
63 x 1000 mm, PPC, 4,0 kg
2 reflective tapes type RA2
25,00 €/pc.

Good visibility at night by
two reflective sleeves
High Intensity Grade



Chain Post MultiMax:
Height: 100 cm, Weight: 4,0 kg
post: \varnothing 63 mm, base 37 x 7,5 cm
Plug-in and twist-lock system for base
Integral chain eye and eyelet bolt



M36 thread
for attaching signs



Chain Post Set MultiMax



12463 ZR Post Set MultiMax
 6 posts, red with reflektive strips typ RA2, 6 bases
 15 m chain "Pollux" (5 x 3 m) red and white, 10 Snap Hooks white
184,90 €

12461 OR Post Set MultiMax
 6 posts, red without strips, 6 bases
 15 m chain "Pollux" (5 x 3 m) red and white, 10 Snap Hooks white
175,90 €

12443 ZR Post Set MultiMax
 4 posts, red with reflektive strips typ RA2, 4 bases
 12 m chain "Pollux" (4 x 3 m) red and white, 8 Snap Hooks white
129,90 €

12441 OR Post Set MultiMax
 4 posts, red without strips, 4 bases
 12 m chain "Pollux" (4 x 3 m) red and white, 8 Snap Hooks white
124,90 €



Chain Posts:

- (H) 1,00 m, \varnothing 63 mm
- M36 thread to screw signs (page 37)
- Eyelet bolt for chains and tapes
- Fitted with chain eyes in the posts

- Quick and easy to install
- Plug-in and twist-lock system for base
- Hexagon Base diameter: 370 mm
- Ballast in the foot made of elastic recycling plastic (PVC)



Post and Chain Barricade MultiMax

12401 GG Post
63x1000 mm, PPC, 4,0 kg
25,00 €/pc.



12403 SG MultiMax Post
63x1000 mm, PPC, 4,0 kg
2 black strips
26,00 €/pc.



No water or sand filling.
Heavy foot with anti-slip element
ensures stability
and avoids scratches in flooring.



Chain Post Set MultiMax



12463 SG Post Set MultiMax
6 Posts yellow with 2 black stripes
5 Chains "Pollux" 3 m yellow-black, 2 Snap Hooks apiece

189,90 €



12443 SG Post set MultiMax
4 Posts yellow with 2 black stripes
4 Chains "Pollux" 3 m yellow-black, 2 Snap Hooks apiece

133,90 €



12461 GG Post set MultiMax
6 Posts yellow
5 Chains "Pollux" 3 m yellow-black, 2 Snap Hooks apiece

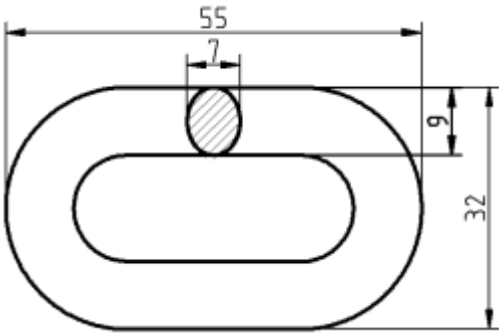
181,90 €

12441 GG Post set MultiMax
4 Posts yellow
4 Chains "Pollux" 3 m yellow-black, 2 Snap Hooks apiece

129,90 €



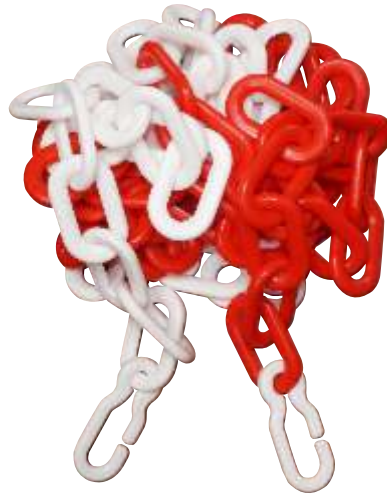
Chains



13199 WW snap hook white
PPC for plastic chains
0,80 €/pc.



13199 KH snap hook black
PPC for plastic chains
0,80 €/pc.



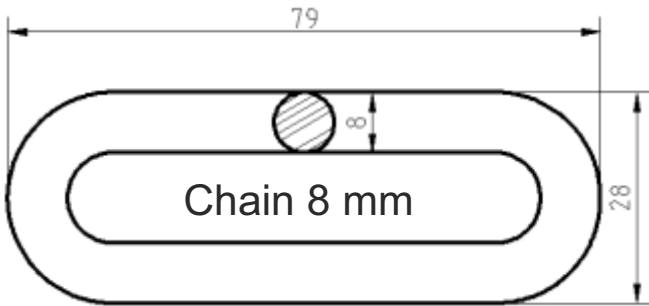
13127 RW Plastic Chain Pollux red-white 3 metres
with 2 snap hooks
PPC, 9 mm
weight 0,41 kg
8,30 €/pc.



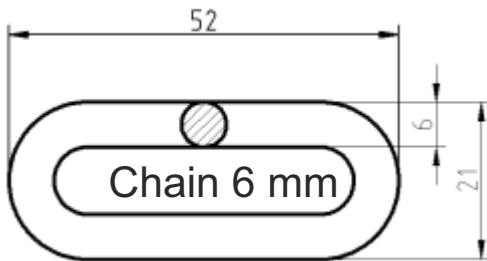
13127 GS Plastic Chain 8 Pollux yellow-black 3 metres
with 2 snap hooks
PPC, 9 mm
weight 0,41 kg
8,30 €/pc.

13129 PK Plastic Chain 8 Pollux 25 metres red-white
PPC, 9 mm
weight 3,4 kg
51,50 €/pc.

13128 PK Plastic Chain 8 Pollux 25 metres yellow-black
PPC, 9 mm
weight 3,4 kg
51,50 €/pc.



20299 RW Plastic Chain 8 mm red-white 2,20 €/m
20299 GS Plastic Chain 8 mm yellow-black 2,20 €/m



20199 RW Plastic Chain 6 mm red-white 1,50 €/m
20199 GS Plastic Chain 6 mm yellow-black 1,50 €/m



20101 NS safety link black 6 mm
for connecting plastic chains
0,40 €/pc.



20101 NR safety link red 6 mm
for connecting plastic chains
0,40 €/pc.



20102 ES Hook black 6 mm
0,40 €/pc.



20102 ER Hook red 6 mm
0,40 €/pc.



20102 EG Hook yellow 6 mm
0,40 €/pc.

Signs



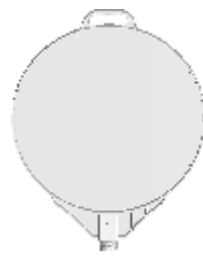
13110 HD panel-triangle
side length 440 mm
PPC, 0,35 kg
7,60 €/pc.



13111 HV panel-rectangle
paste area 350x410 mm
PPC, 0,50 kg
7,60 €/pc.



13112 HV panel-quadrate
paste area 300x300 mm
PPC, 0,40 kg
7,60 €/pc.



13196 HR HR panel-circle big (ø) 380 mm
PPC, 0,47 kg
7,60 €/pc.



13120 HR panel-circle small (ø) 280 mm
PPC, 0,20 kg
5,90 €/pc.



13122 RL driving direction
double-sided reflective class RA 2
1 x to the right and 1 x to the left
(d) 380 mm, PPC, 0,48 kg
16,90 €/pc.



13230 HR passing-right
single-sided reflective class RA 2
(ø) 380 mm, PPC, 0,48 kg
16,90 €/pc.



13229 HL passing-left
single-sided reflective class RA 2
(ø) 380 mm, PPC, 0,48 kg
16,90 €/pc.



13121 HR no entry
single-sided reflective class RA 2
(ø) 380 mm, PPC, 0,48 kg
16,90 €/pc.



13124 HR no parking
double-sided class RA 2
(ø) 380 mm, PPC, 0,48 kg
16,90 €/pc.



13131 HD road works
side length 440 mm, PPC, 0,36 kg
single-sided reflective class RA 2
16,90 €/pc.



13130 HD caution
side length 440 mm, PPC, 0,36 kg
single-sided reflective class RA 2
16,90 €/pc.



13121 ST Stop
PPC, 0,48 kg, (ø) 380 mm,
single-sided reflective class RA 2
16,90 €/pc.



13196 ST No unauthorized entry
PPC, 0,48 kg, (ø) 380 mm,
single-sided reflective RA 2
16,90 €/pc.



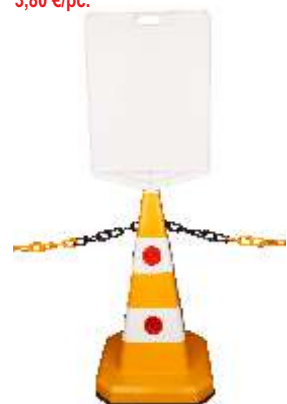
13194 WW Adapter white
for PingPong™ Post ø 80 mm,
M36 thread, PPC,
ø 93 mm x (H) 82 mm
3,80 €/pc.



13194 AD Adapter black
for PingPong™ Post ø 80 mm,
M36 thread, PPC,
ø 93 mm x (H) 82 mm
3,80 €/pc.

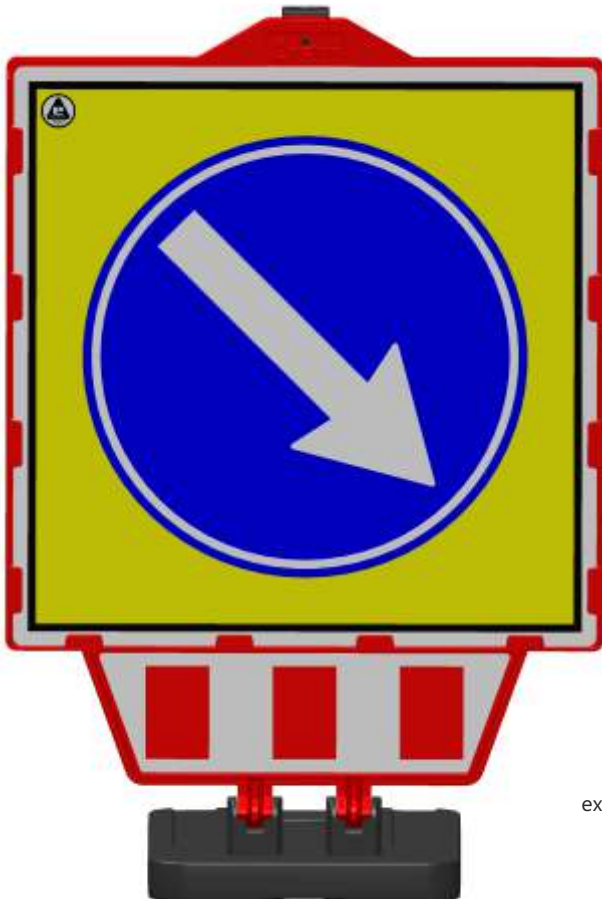
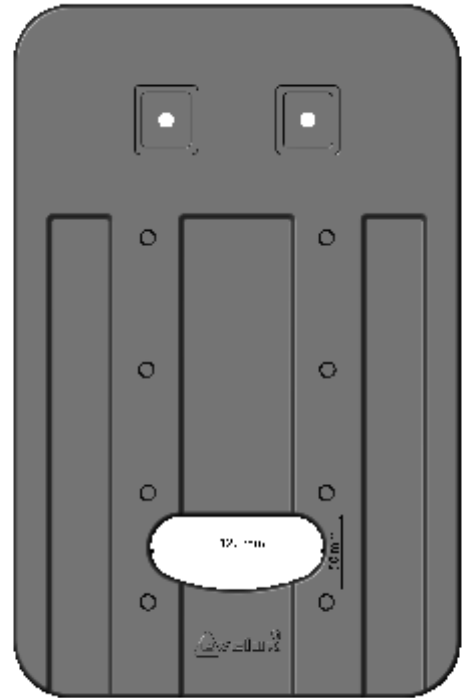


13126 ZA Adapter
for 500, 750, 900 mm PVC cones
M36 thread, PPC,
70x105 mm, 0,06 kg
3,80 €/pc.



Collapsible Sign „Speedy“

12417 OF Collapsible Sign „Speedy“
total height 90 cm, width 60 cm,
weight 12,0 kg, base 31cm x 48 cm
3 mm PPC panel 59 x 59 cm,
without foil
84,90 €/pc.



examples of use

Collapsible Delineator "Speedy"



Size
100%

double-sided
reflective RA 2

12410 PF
collapsible delineator
Speedy 1000
double sided film 250 x 1000 mm
reflective class RA2
total height 1,20 m
Base 31 x 48 cm
PPC-PVC 12 kg
89,90 €/pc.



Size
75%

12414 PF
collapsible delineator
Speedy 750
Total height 1,04 m
Film 187 x 750 mm
reflective class RA2
Base 31 x 48 cm
PPC-PVC 11,5 kg
85,90 €/pc.



Size
50%

12416 PF
collapsible delineator
Speedy 500
Total height 72 cm
Film 187 x 480 mm
reflective class RA2
Base 22 x 45 cm
PPC-PVC 7,2 kg
59,90 €/pc.

protective frame



carrying
handle
in base

antislip
rubber
base

Traffic Separator Safety Barriers

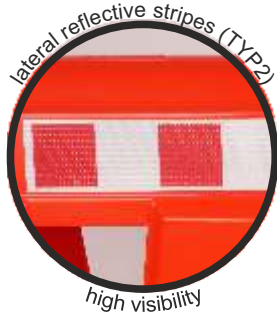
12520 FR F Traffic Separator TEMKA-WALL red
 1000 x 400 x 600 mm. PPC-PVC 20 kg
119,90 €/pc.



12520 FW Traffic Separator TEMKA-WALL white
 1000 x 400 x 600 mm. PPC-PVC 20 kg
119,90 €/pc.



No filling with sand or water!
 Heavy rubber base provides maximum stability. The permeable structure reduces the wind load.
 Can be screwed to the ground.



Can swivel at its connection



Fast and easy to deploy

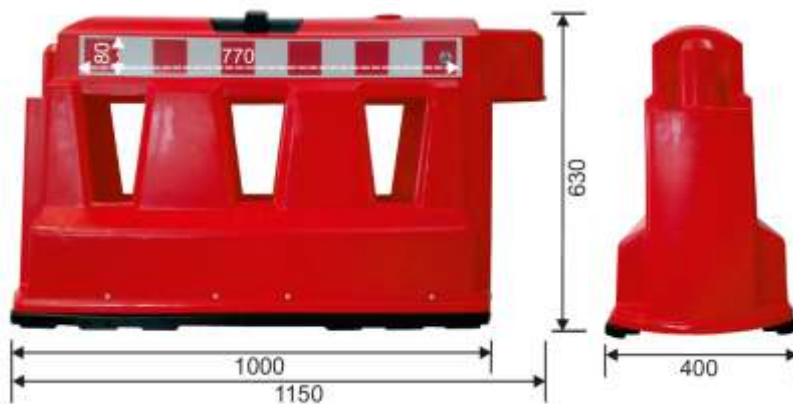


24 Pieces Per Pallet Shipping

Traffic Separators with delineator blade, Lane Separators

12522 FR Barrier TEMKA-WALL red
with guiding reflector post
1000 x 400 x 1180 mm, 20 kg,
149,90 €/pc.

12522 FW Barrier TEMKA-WALL white
with guiding reflector post
1000 x 400 x 1180 mm, 20 kg,
149,90 €/pc.



warning reflector post



12566 SR blade with warning reflector
32,90 €/pc.

12566 OF blade without foil
26,95 €/pc.

ORALITE®

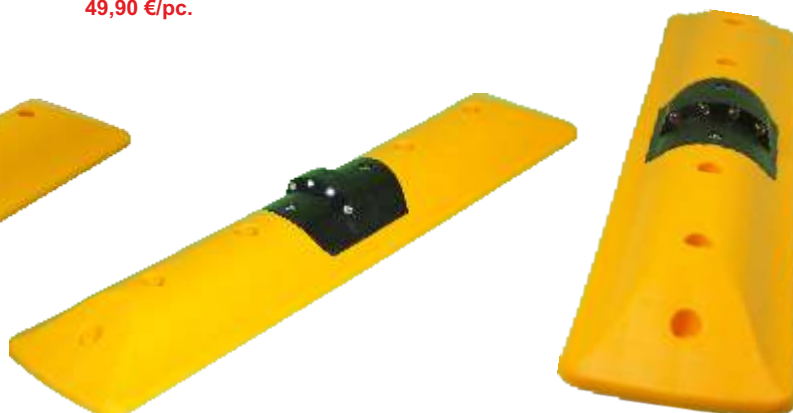
12566 F2 foil
Orafol 5831,
500 x 125 mm
5,95 €/pc.



ORALITE®

14266 LR Traffic Lane Separator with warning reflector
1000 x 220 x 650 mm, 3,6 kg
79,90 €/pc.

14262 LR Traffic Lane Separator
with 4 cat's eyes in both directions
1000 x 220 x 70 mm, 3,5 kg
49,90 €/pc.



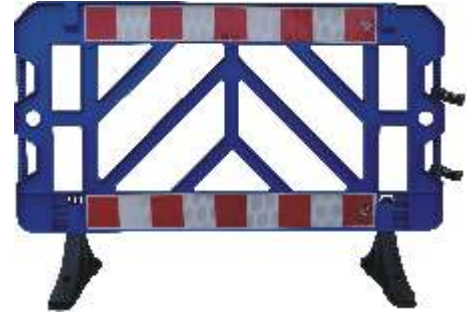
Safety Barrier

12510 RW Safety Barrier red
12510 GW Safety Barrier yellow
12510 BW Safety Barrier blue
12510 WW Safety Barrier white
 PPC Safety Barrier with hinged connectors
 2 reflective warning signs 120 x 1000 mm
 (H)1000 mm, (L)1500 mm, 12,6 kg
 PVC feet with fixing holes to bolt in place
Safety Barrier packaging unit 2 pieces: 99,90 €/pc.
Safety Barrier packaging unit 20 pieces: 85,90 €/pc.

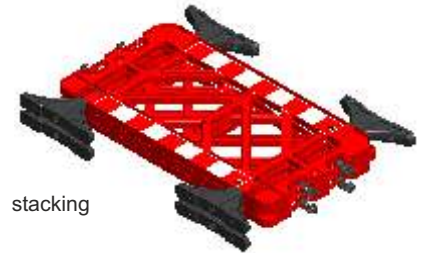
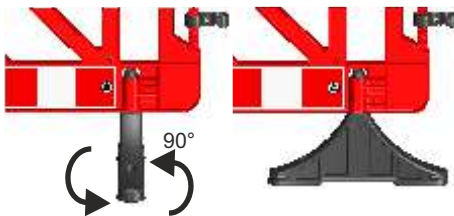
13459 S4 screw kit
 4 x 13159 SC
4,00 €/kit



13159 SC Screw
 10/18 mm
1,00 €/pc.



PVC feet with fixing holes to bolt in place



CORNER GUARDS



14292 ES CORNER GUARD
 270° reflective type RA2
 length: 90 cm, side length: 9,5 cm
 thickness: 3,5 cm
 material: PPC/PVC
 colour: yellow-black
 weight: 1,8 kg
29,95 €/pc.

13650 SD Fixing Set
 for one corner guard
 6 hammer-in plugs 6 x 40 mm
1,00 €/pc.



← 270° reflective typ RA2

← plasticised-PVC impact absorber



14296 ES CORNER GUARD
 reflective typ RA2
 length: 80cm, side length: 8 cm
 thickness: 1,5 cm
 black plasticised-PVC
 weight: 1,9 kg
23,95 €/pc.

13650 SD Fixing Set
 for one corner guard
 6 hammer-in plugs 6 x 40 mm
1,00 €/pc.



mounting to uneven surface



warning mark



edge protection



edge repair

SAFETY MIRRORS



12267 SG Industrial Safety & warehouse mirror
yellow-black, 60 x 40 cm, acrylic mirror 2 mm thickness,
maximum viewing distance 15 m
frame: ABS, bracket: aluminum, 3,6 kg
99,00 €/pc.

12248 SG Industrial Safety & warehouse mirror yellow-black, 80 x 60 cm,
acrylic mirror 2 mm thickness, maximum viewing distance 20 m
frame: ABS, bracket: aluminum, 5,4 kg
179,00 €/pc.

Bracket made of solid aluminium
horizontally and vertically adjustable
Fixing kit provided for quickly mounting
wall mounting and
onto 60 and 76mm dia. posts

12226 SG Industrial Safety & warehouse mirror yellow-black, ø 80 cm
acrylic mirror 2 mm thickness, maximum viewing distance 20 m
frame: ABS, bracket: aluminum 6,0 kg
174,00 €/pc.



12228 SG Industrial Safety & warehouse mirror, ø 60 cm
acrylic mirror 2 mm, maximum viewing distance 15 m
frame: ABS, bracket: aluminum, 4,0 kg
109,00 €/pc.



Traffic Mirrors



12265 RW Traffic mirror red-white, 60 x 40 cm, acrylic mirror 2 mm thickness, maximum viewing distance 15 m
frame: ABS, bracket: aluminum, 3,6 kg
99,00 €/pc.

12246 RW Traffic mirror red-white, 80 x 60 cm, acrylic mirror 2 mm thickness, maximum viewing distance 20 m
frame: ABS, bracket: aluminum, 5,4 kg
179,00 €/pc.

Acrylic mirror

Bracket horizontally and vertically adjustable.
Frame made of ABS. (UV resistant - plastic)

12227 RW Traffic mirror red-white, ø 80 cm, acrylic mirror 2 mm thickness, maximum viewing distance 20 m
frame: ABS, bracket: aluminum, 6,0 kg
174,00 €/pc.



12229 RW Traffic mirror red-white, ø 60 cm, acrylic mirror 2 mm thickness, maximum viewing distance 15 m
frame: ABS, bracket: aluminum, 4,0 kg
109,00 €/pc.



Pavement Bollards cast iron look **rigid** PPC



14213 PS Pavement Bollard
 textured anthracite-grey
 cast iron look
 rigid PPC
 (H) 800 mm, 1,4 kg
 reflective tape type RA1
19,90 €/pc.



14205 PS Pavement Bollard
 textured anthracite-grey
 cast iron look
 rigid PPC,
 (H) 560 mm,
 1,5 kg
 reflective tape
 type RA2
19,90 €/pc.



13159 SC Screw
 screw (L) 105 mm \varnothing 10 mm,
 plug \varnothing 18 mm,
 0,07 kg
1,00 €/pc.



13459 S4 Screw kit
 for all pavement bollards
 4 x 13159 SC
4,00 €/kit



City-Bollard flexible



"Rubber" bollard, anthracite grey springs back into place after impact

Easy installation:

1. fix socket into ground
2. plug in the upper part
3. tighten the union nut

- cast iron look
- modern design
- 100% TPU extremely durable



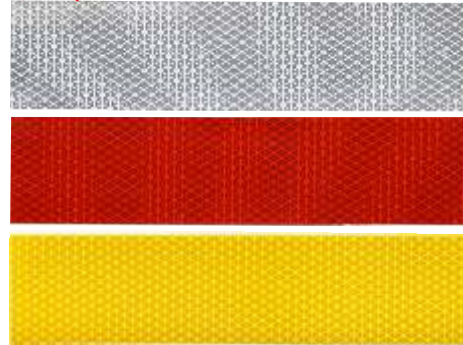
13188 PS wrench for City-Bollard
18,50 €/pc.

14277 KK
City-Bollard Bala
(H) 680 mm, PUR,
ø 80 mm, 1,46 kg
2 reflective stripes RA2 C
59,90 €/pc.

14280 RK
City-Bollard Kapa
(H) 620 mm, PUR,
ø 80 mm, 1,35 kg
2 reflective stripes RA2 C
59,90 €/pc.



15212 W2 (= white) / R2 (= red) / G2 (= yellow)
ORALITE® 5930M Prismatic Construction Grade
EN 12899-3: 2007, DIN 67520:2013-10, RA2-C
for replacement
1,50 €/pc.



City-Bollard flexible

14276 KG City-Bollard Bala
(H) 870 mm,
PUR, ø 80 mm, 1,81 kg
2 reflective stripes RA2 C
69,90 €/pc.



newest products

14279 RG City-Bollard Kapa
(H) 810 mm,
PUR, ø 80 mm, 1,71 kg
2 reflective stripes RA2 C
69,90 €/pc.



13259 S2 Screw kit
for City-bollards
2 x Screws 105 mm, ø 80 mm,
2 x plugs ø 18 mm
2,00 €/kit



Reflective film
ORALITE® 5930M white
Prismatic Construction Grade
EN 12899-3: 2007
DIN 67520:2013-10 (RA2-C)

